



Enjoy Outdoor Living at Home!

SBS EZ Builder Kits Make It Easy!

Easy Builder Kits have been designed with the DO-IT-YOURSELFER in mind. With a few basic tools you can construct a quality wood picnic table.

The lumber in the picnic table kit is precut. Precut lumber provides easy assembly and eliminates measuring and cutting.

You can add a custom look to your table with the stain and paint color combinations available at SBS.

Enjoy family get-togethers with a durable EZ Builder picnic table!

SBS EZ Builder Kits have been designed with the Do-It-Yourselfer in mind.
WWW.SBSALASKA.COM



6' Picnic Table Kits



WHAT'S NEXT

ON YOUR HOME IMPROVEMENT LIST?



spenard
builders
supply

ASK SBS



ASK SBS

WWW.SBSALASKA.COM

Though no formal building experience is necessary to do this project, some areas may be confusing or difficult. If you have any questions, please feel free to call your local SBS store.



6' Picnic Table Kit Building Steps

MATERIAL LIST

6' Picnic Table Kit

LUMBER

9 ea.	(4)	2 x 6 x 72"	Seat and Tabletop Boards
4 ea.	(3)	2 x 6 x 36"	Table Legs (predrilled)
2 ea.	(1)	2 x 6 x 58 1/2"	Seat Supports (predrilled)
1 ea.	(6)	2 x 4 x 28 3/4"	Center Support
2 ea.	(2)	2 x 4 x 28 3/4"	Table Supports (predrilled)
2 ea.	(5)	2 x 4 x 28 3/4"	Diagonal Braces

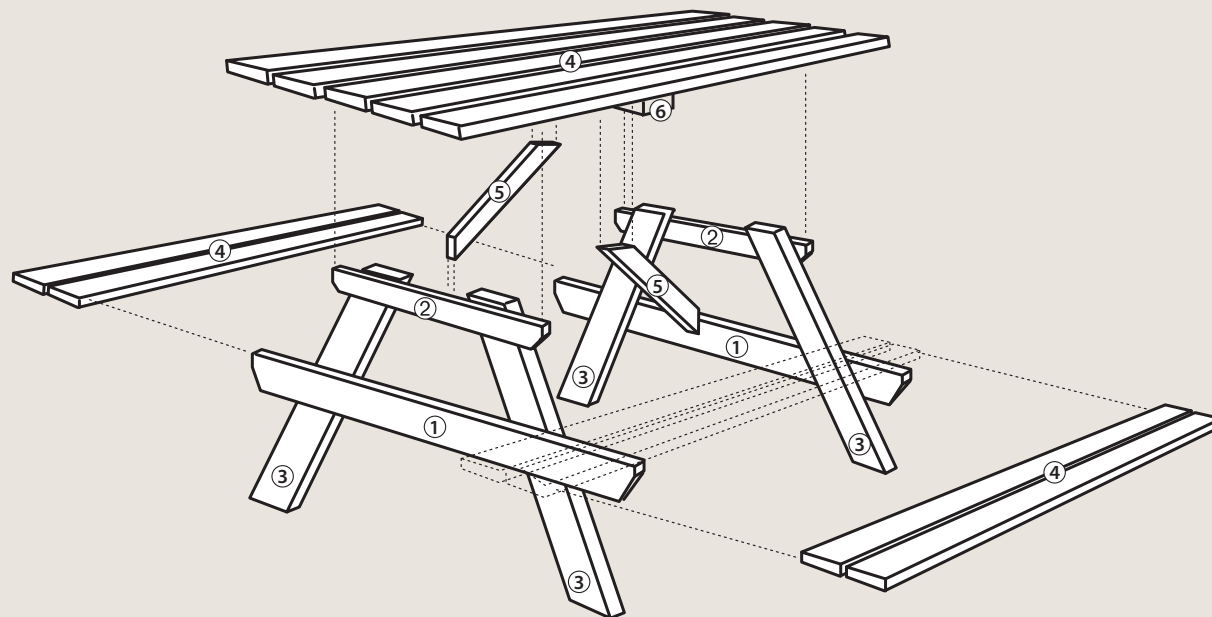
HARDWARE

12 ea.	3/8" x 3 1/2"	Carriage Bolts
12 ea.	3/8"	Cut Washers
12 ea.	3/8"	Nuts
70 ea.	2 1/2"	Grabbergard Screws

TOOLS REQUIRED

- Screw Gun or Variable Speed Drill
- #2 Phillips Head Bit
- 3/8" Wrench
- Level

6' Picnic Table Kit



Building Steps

STEP 1: INVENTORY

Layout all components and check off items on list to make sure all materials have been enclosed.

STEP 2: TABLE AND SEAT SUPPORTS

Lay seat support and table support on flat surface. Insert carriage bolts through pre-drilled holes, making sure the best side of lumber is down.

STEP 3: TABLE LEGS

Lay two table legs on carriage bolts. Install washers and nuts on to carriage bolts. Leave loose for final adjustment and leveling when completely assembled. Repeat steps #2 and #3 for second leg assembly.

STEP 4: TABLE TOP AND SEATS

Stand leg assemblies up and attach one seat board and one tabletop board with screws to end of seat and table support (seat and table top boards should have a 12" overhang). Make sure best side of boards are facing up. Repeat on other side of table and seat. Evenly space remaining table top and seat boards and attach them to supports with screws. Each board should be fastened with two screws in each support.

STEP 5: CENTER SUPPORT

Flip table over and install center support to the bottom side of tabletop with screws into each tabletop board. Center the center support evenly between the leg assemblies.

STEP 6: DIAGONAL BRACES

Install diagonal braces to seat supports and center tabletop board with two screws in each end.

STEP 7: FINISHING

Turn table right side up and tighten bolts. Finish or preserve as desired.

If you have any questions, please call your local SBS store.